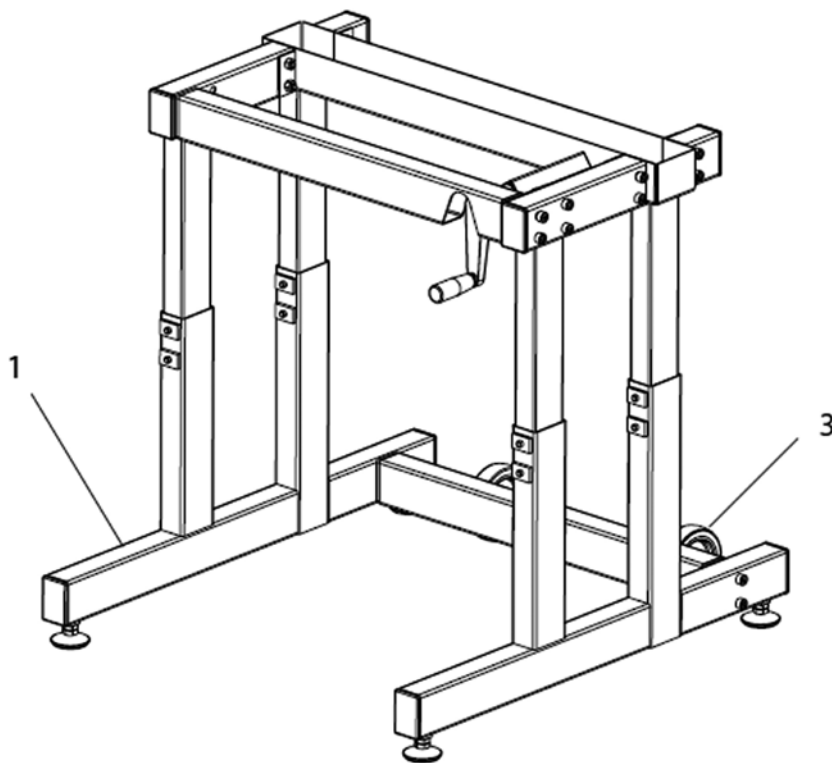
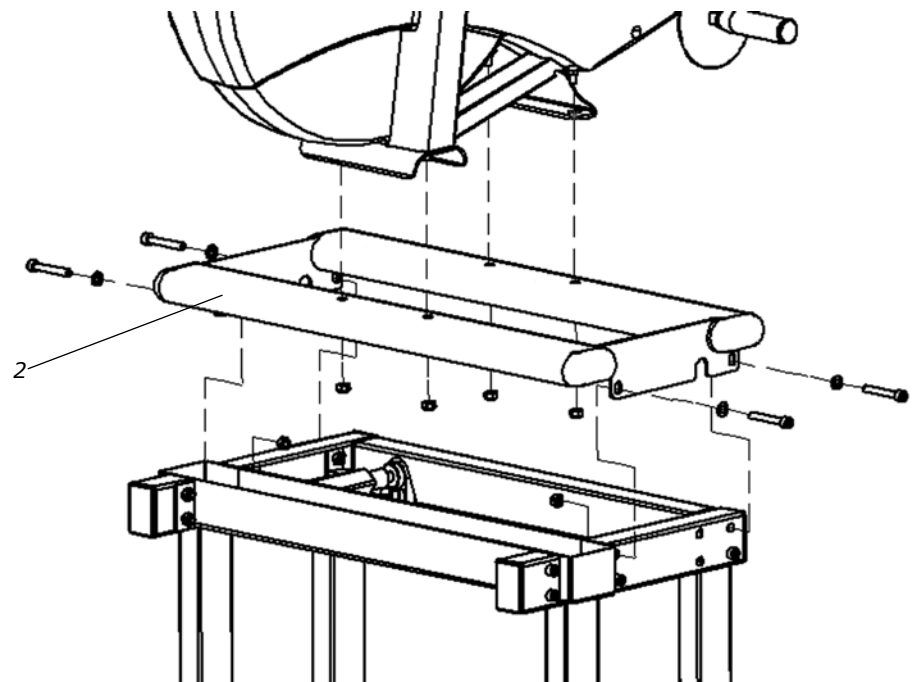


Pos.	Qty.	Art. No.	Description	Pos.	Qty.	Art. No.	Description
1	1	5683	Screw	27	1	14374	Screw
2	10	9306-12	Plastic plug	28	4	5843-9	Nut
3	2	5673-9	Screw	29	1	9374-29	Weight holder
4	1	5681	Screw	30	2	9302-28	Plastic plug
5	1	9391-62	Frame cover, right	31	1	9374-9	Front frame
6	3	5671-19	Screw	32	1	9374-150	Stop lever, complete
7	2	9300-12	Screw	33	1	9391-400	Weight set, complete
8	1	9326-162	Crank sensor with cable	34	1	9391-25	Weight basket 0,1 kg
9	1	9326-166	Sensor holder	35	1	9374-20	Tension device, complete
10	1	9145-71	Handle, pair	36	1	9391-61	Frame cover, left
11	2	9371-71	Handcover	37	1	9391-141	Instrument cover
12	1	9300-450	Crank set, complete	38	2	5675-9	Screw
13	1	9326-164	Magnet	39	1	9391-3	Flywheel with sprocket
14	1	9391-55	Plastic cap	40	1	9000-17	-Spacer 5 mm
15	1	8966-175	BB cartridge bearing, complete	41	1	9300-17	-Spacer 23 mm
16	1	9391-44	Knob	42	1	9000-15	-Locking ring SgH 028
17	1	9391-40	Push rod	43	2	19001-6	-Bearing SKF 6001-2z
18	4	5673-9	Screw	44	1	9000-12	-Chain adjuster, pair
19	1	9391-70	Digital meter	45	1	9300-18	-Axle, length 132 mm
20	1	9391-26	Meter holder	46	1	9106-13	-Sprocket, 14t
21	1	9326-263	Cable	47	1	9106-14	-Connection for above
22	2	8523-115	Screw	48	1	9324-30	Brake belt
23	1	9391-43	Link, complete	49	1	9374-60	Bracket
24	2	8523-2	Dust cover	50	1	9300-5	Chain 116 L, with chain lock
25	1	9391-41	Push rod	51	1	9384-45	Control
26	1	9100-20	Spring		1	9339-98	Chestbelt



Pos.	Qty.	Art. No.	Description	Pos.	Qty.	Art. No.	Description
1	1	9391-83	Table stand, height adjustable, complete	3	2	9000-29	Transport wheel, complete
2	1	9391-95	Upper part		1	9391-8-10	Screw set