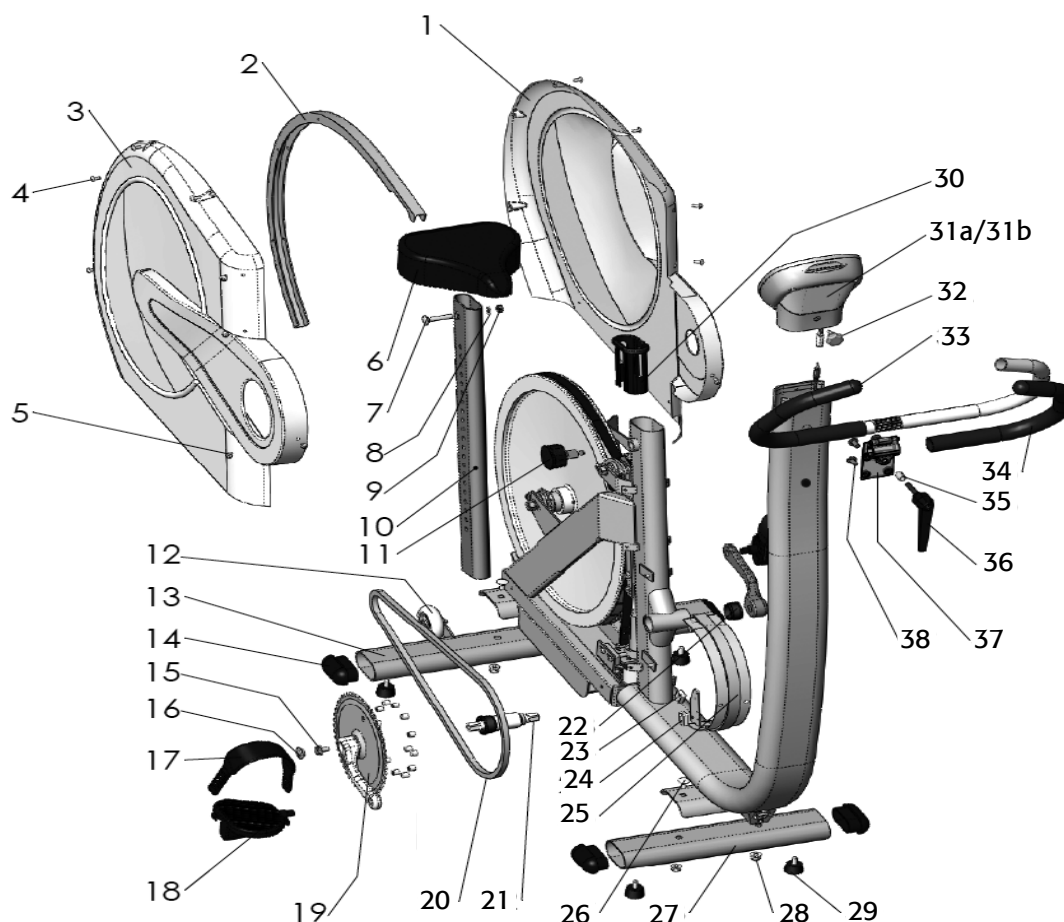


From serial number WBK 285590H

Pos.	Qty.	Art. No.	Description	Pos.	Qty.	Art. No.	Description
1	1	9300-24	Wheel suspension, complete set	13	1	9328-62	Stop
2	1	9300-3	Flywheel	14	1	9338-19	Stay
3	1	9328-64	Brake belt, complete	15	1	9338-17	Adaptor servo
4	2	9300-99	Plastic stop	16	3	14323	Screw M6x16
5	1	9338-29	Contact plate	17	1	9338-57	Tension device, complete
6	1	9338-28	Bracket for box	18	2	9338-15	Bracket for tension device
7	1	9338-31	Contact, complete	19	2	9338-16	Bracket for motor
8	1	9338-24	Electronic box	20	1	9338-1	Frame
9	1	9338-30	Cover plate	21	1	9338-58	Switch, "on"/"off", with cable
10	1	9338-142	Contact bracket, complete	22	1	9328-33	Adaptor M20/M16
11	1	9328-100	Pendulum, complete		1	9339-39	Communication cable, 3 m
12	1	9328-29	Scale lock, complete		1	9339-67	Power adaptor, Sweden
					1	9339-66	Power adaptor, other countries



From serial number WBK 285590H

Pos.	Qty.	Art. No.	Description	Pos.	Qty.	Art. No.	Description
1	1	9338-59	Frame cover, left	22	1	8966-176	Support casing for BB-bracket
2	1	9328-4	Aluminium profile	23	1	9328-162	Crank sensor w. 1750 mm cable
3	1	9338-60	Frame cover, right	24	1	9326-162	Sensor black, w. 100 mm cable
4	9	5675-9	Screw M5x6,5	25	1	9309-3	Joint list
5	21	5673-9	Screw M5x12	26	4	9300-12	Screw M8x16
6	1	4994-5	Saddle	27	1	9328-5	Support tube, front
7	1	5605-1	Screw M8x46	28	4	5845	Locking nut M8
8	1	5864	Washer	29	4	9328-26	Rubber foot
9	1	5775	Nut	30	1	9328-131	Bushing for saddle post
10	1	9328-130	Saddle post	31a	1	9338-23-1	Display (without pulse)
11	1	9328-132	Locking knob	31b	1	9338-23-2	Display (with pulse) incl. Polar receiver
12	1	9328-37	Transport wheel, complete (pair)	32	1	9000-105	Screw, M5x10
13	1	9328-6	Support tube, rear	33	1	9328-7	Handlebar, complete
14	4	9328-51	Plastic cap, blue	34	1	9328-72	Handgrip, blue (pair)
15	2	8523-115	Screw M8x1x20	35	1	9326-89	Spacer
16	2	8523-2	Dust cover for crank	36	1	9100-280	Lever, complete
17	1	9300-207	Foot straps (pair)	37	1	9328-8	Handlebar clamp
18	1	9300-220	Pedal (pair)	38	4	9337-38	Screw M8x16
19	1	9300-432	Steel crank set, complete with magnets		1	9000-211	Calibration weight, 4 kg
20	1	9326-55	Chain, 98 L with chain lock		1	9339-89	Chestbelt Polar Wear-link
21	1	8966-175	BB cartridge bearing		1	9328-78	Handlebar, wide splines, compl.