

# IE9515

PEC FLY/REAR DELT

## OWNER'S MANUAL



### **! CAUTION**

Read all precautions  
and instructions in this manual  
before using this equipment

14W Rev B

**! CAUTION**

Read all precautions and instructions in this manual before using this equipment.

## Table Of Contents

Important Safety Instructions-----	3
Instructions-----	4
Parts List-----	5
Exploded View-----	7
Measurement Guide-----	8
Assembly Instructions-----	9
Assembly-----	10
Exercise Instructions-----	19
Maintenance Schedule-----	20
General Maintenance Information-----	21
Weight Training Tips-----	22

Please assemble according to the actual **Weights and Console** you buy !

## Important Safety Instructions

Before beginning any fitness program, you should obtain a complete physical examination from your physician. When using exercise equipment, basic precautions should always be taken, including the following:

1. Read all instructions before using the equipment.  
These instructions are written to ensure your safety and to protect the unit.
2. Use the equipment only for its intended purpose as described in this guide.  
Do not use accessory attachments that are not recommended by the manufacturer: such attachments might cause injuries.
3. The product should only be used on a level surface and is with 0.5 meters space around the product.  
Do not use the equipment outdoors.
4. Do not allow children on or near the equipment. And children are not allowed to use this equipment.  
Teenagers should use this equipment with adult supervision.
5. Do not overexert yourself or work to exhaustion.  
Do not attempt to lift more weight than you can control safely.  
If you feel any pain or abnormal symptoms, stop your workout immediately and consult your physician.
6. This equipment is not used as medical apparatus and instruments.
7. Never operate the unit when it has been dropped or damaged.  
Never drop or insert anything into any opening in the equipment.  
Always check the unit and its cables before each use. Make sure that all fasteners and cables are secure and in good working condition.  
Frayed or worn cables can be dangerous and may cause injury. Periodically check these cables for any indication of wear.  
Keep hands, limbs, loose clothing and long hair well out of the way of moving parts.
8. Be careful when getting on or off the equipment.
9. Wear proper exercise clothing and shoes for your workout, no loose clothing.

### **Personal Safety During Assembly**

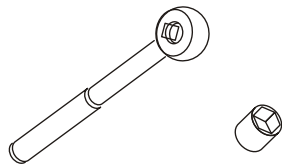
Read each step in the assembly instructions and follow the steps in sequence. Do not skip ahead. If you skip ahead, you may learn later that you have to disassemble components and that you may have damaged the equipment. Assemble and operate the equipment on a solid, level surface. Locate the unit a few feet from walls or furniture to provide easy access. The equipment is designed for your enjoyment. By following these precautions and using common sense, you will have many safe and pleasurable hours of healthful exercise with the equipment.

## Instructions

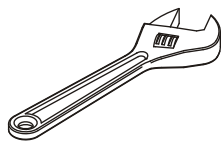
Before beginning assembly please take the time to read instructions thoroughly. Please use the various lists in this manual to make sure that all parts have been included in your shipment. When ordering, use part number and description from the lists. Use only our replacement part when servicing. Failure to do so will void your warranty and could result in personal injury.

The equipment is designed to provide the smoothest, most effective exercise motion possible. After assembly, you should check all functions to ensure correct operation. If you experience problems, first recheck the assembly instructions to locate any possible errors made during assembly. If you are unable to correct the problem, call your authorized dealer. Be sure to have your serial number and this manual when calling. When all parts have been accounted for, continue on.

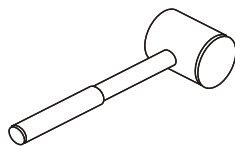
## Tools Required



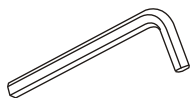
Ratchet Wrench and Socket



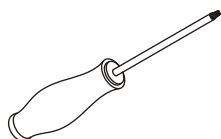
Adjustable Wrench



Rubber Mallet



Hex Key Wrench Set



Phillips Screwdriver

## Parts List

**NOTE: SOME OF THESE PARTS MAY COME PRE-INSTALLED.**

ITEM NO.	Description	QTY	ITEM NO.	Description	QTY
1	Weight Stack Frame	1	24	Adjustable Foot Plate	3
2	Bottom Cross Brace	1	25	Pulley Bracket	1
3	Upright Frame	1	26	Selector Pin W/Coil	1
4	Top Cross Brace	1	27	Top Plate	1
5	Adjustable Cross Brace	2	31	Shroud Clip	16
6	Right Cam	1	32	Seat Pad	1
7	Left Cam	1	34	Top Front Shroud	1
8	Right Rotary Arm	1	35	Left Plug	1
9	Left Rotary Arm	1	38	Plug RT50*100	1
10	Seat Pad Support	1	40	Right Plug	1
11	Adjustable Support	1	41	Button	8
12	Top Frame	1	44	Pulley Cover	4
13	Spacer	1	45	Plastic Tube Guide	2
14	Pivot Axle	2	46	Aluminium Grip Cap	4
15	Pop Pin	2	47	Aluminium Grip Ring	4
16	Guide Rod	2	48	Adjustable Support Sleeve	1
17	Stopper	2	49	Weight Rubber Bumper	2
18	Bumper	2	50	4.5" Pulley	4
19	Upright Stopper	2	51	3.5" Pulley	1
20	Adjustable Plate	2	52	Bearing $\Phi$ 50.8* $\Phi$ 25.4*15.9	8
21	Cable	1	53	Bearing $\Phi$ 35* $\Phi$ 19.1*13.5	4
22	$\Phi$ 25 Grip	4	54	Spring	1
23	Back Pad	1	55	Plastic Cover	1

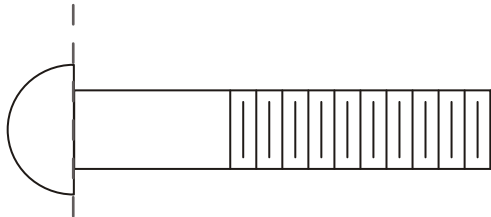
## Parts List

**NOTE: SOME OF THESE PARTS MAY COME PRE-INSTALLED.**

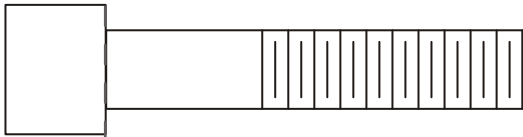
ITEM NO.	Description	QTY	ITEM NO.	Description	QTY
57	Hex Head Bolt M10*130	3	79	Hex Flanged Nut	2
58	Hex Head Bolt M10*100	2	80	Socket Set Screw 10-32*3.2	8
59	Hex Head Bolt M10*80	3	81	Spacer	4
60	Hex Head Bolt M10*70	2	82	Hex Key s=3	1
61	Hex Head Bolt M10*50	1	83	Hex Key s=4	1
62	Hex Head Bolt M10*30	3	84	Hex Key s=5	1
63	Hex Head Bolt M10*95	2	85	Hex Key s=6	1
64	Button Head Cap Screw M8*55	1	86	Hex Key s=8	1
65	Button Head Cap Screw M6*12	2	87	Hex Key s=3/32"	1
66	Socket Head Cap Screw M10*50	2	88	Wrench	1
67	Socket Head Cap Screw M8*30	1	89	Hex Head Bolt M10*35	4
68	Socket Head Cap Screw M8*20	4	93	Lube	1
69	Socket Head Cap Screw M4*15	2	94	Nut	4
70	Flat Head Cap Screw M10*30	4	95	Rear Shroud	1
71	Philips Screw M5*12	5	98	Front Shroud	1
72	Rivet Nut M5	1	100	Rubber Plug	2
73	Flat Washer $\Phi 11*\Phi 20*2$	31	101	Spring Washer	2
74	Flat Washer $\Phi 9*\Phi 16*1.6$	6	102	Hex Head Bolt M8*30	2
75	Flat Washer $\Phi 11*\Phi 30*2$	3	103	Rivet Nut	2
76	Nylon Lock Nut M10	13	106	Weight Stack Space	2
77	Nylon Lock Nut M8	5	108	Flat Washer $\Phi 9*\Phi 22*1.6$	2
78	Hex Nut M6	2	111	Socket Set Screw M6*15	2



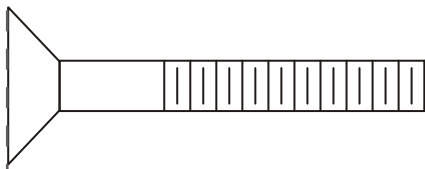
# Measurement Guide



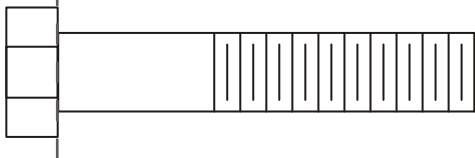
BHCS = Button Head Cap Screw



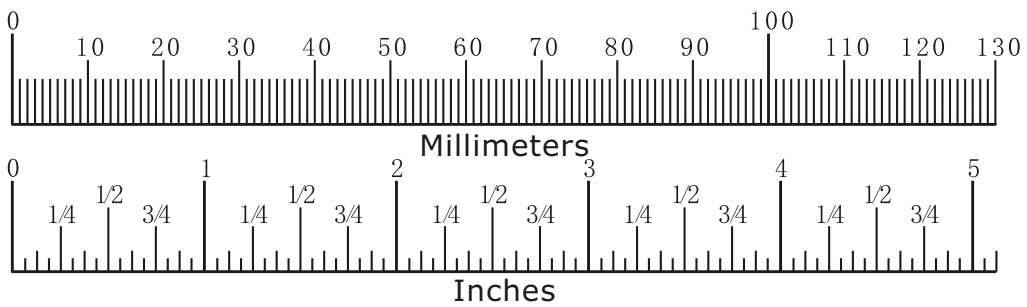
SHCS = Socket Head Cap Screw



FHCS = Flat Head Cap Screw



HHB = Hex Head Bolt



Diameter of bolt (mm/inch)	M6(1/4")	M8(5/16")	M10(3/8")	M12(1/2")	M16(5/8")
Tightening torque (N.m)	9~12	22~30	45~59	78~104	193~257
Operational methods for adult men	The strength of the wrist	The strength of the wrist and forearm	The strength of the entire arm	The strength of the arm and upper body	with all strength



## Assembly Instructions

Assembly of the equipment takes professional installers about 2 hours. If this is the first time you have assembled this type of equipment, plan to spend more time. It is strongly recommended to assemble the equipment by professional installers. You may find it quicker, safer, easier to assemble this equipment with the help of a friend, as some of components may be large, heavy or awkward to handle alone. It is important that you assemble your product in a clean, clear, uncluttered area. This will enable you to move around the product while you are fitting components and reduce the possibility of injury during assembly.

### **NOTE**

As with any assembled part, proper alignment and adjustment is critical. While tightening the fasteners, be sure to leave room for adjustments. Do not fully tighten the fasteners until instructed to do so. Be careful to assemble the components in the sequence presented in this guide.

# Assembly

## STEP 1

1. Attach two Adjustable Foot Plate (#24) to the Weight stack Frame (#1).
2. Attach the Adjustable Foot Plate (#24) to the Bottom Cross Brace (#2).
3. Attach Bottom Cross Brace (#2) to the Weight stack Frame (#1) using:
  - two M10\*100 HHB (#58)
  - four  $\Phi 11*\Phi 20*2$  Flat Washer (#73)
  - two M10 Nut Nylon Lock (#76)
4. Attach the Upright Frame (#3) to the Bottom Cross Brace (#2) using:
  - two M10\*70 HHB (#60)
  - two  $\Phi 11*\Phi 20*2$  Flat Washer (#73)
5. Attach the Top Cross Brace (#4) to the Upright Frame (#3) using:
  - three M10\*80 HHB (#59)
  - six  $\Phi 11*\Phi 20*2$  Flat Washer (#73)
  - three M10 Nylon Lock Nut (#76)
6. Attach the Top Cross Brace (#4) to the Weight stack Frame (#1) using:
  - two M10\*130 HHB (#57)
  - four  $\Phi 11*\Phi 20*2$  Flat Washer (#73)
  - two M10 Nylon Lock Nut (#76)

**Note: Hand tighten bolts and Nylon Lock nuts until machine is fully assembled.**

## STEP 2

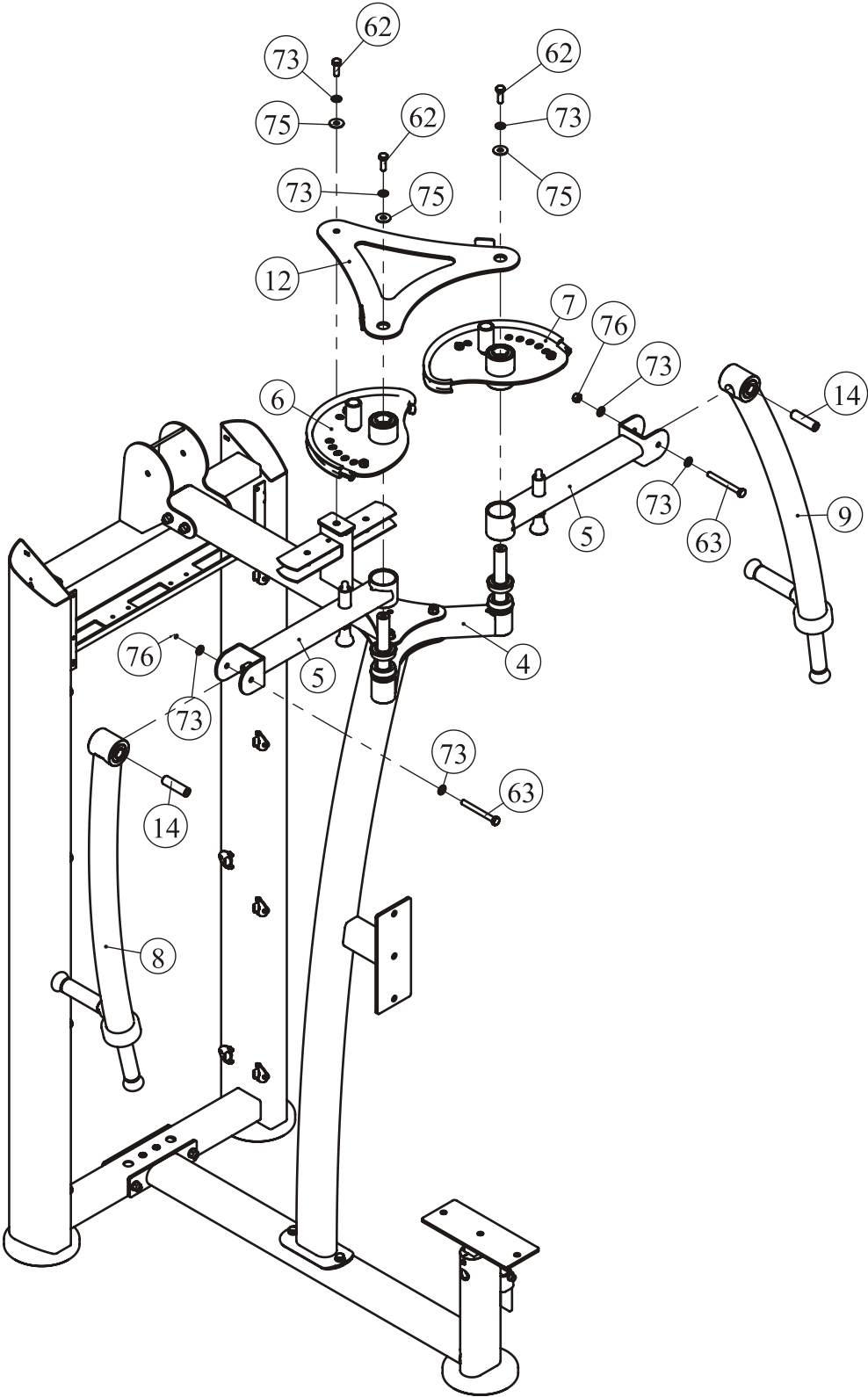
1. Attach two Adjustable Cross Brace (#5), One Right Cam (#6), One Left Cam (#7) to the Top Cross Brace (#4).
2. Attach the Top Frame (#12) to the Top Cross Brace (#4) using:
  - three M10\*30 HHB (#62)
  - three  $\Phi 11*\Phi 20*2$  Flat Washer (#73)
  - three  $\Phi 11*\Phi 30*2$  Flat Washer (#75)
3. Attach the Right Rotary Arm (#8) to the Adjustable Cross Brace (#5) using:
  - one M10\*95 HHB (#63)
  - two  $\Phi 11*\Phi 20*2$  Flat Washer (#73)
  - one  $\Phi 19.1*\Phi 10*67$  Pivot Axle (#14)
  - one M10 Nylon Lock Nut (#76)
4. Attach the Left Rotary Arm (#9) to the Adjustable Cross Brace (#5) using:
  - one M10\*95 HHB (#63)
  - two  $\Phi 11*\Phi 20*2$  Flat Washer (#73)
  - one  $\Phi 19.1*\Phi 10*67$  Pivot Axle (#14)
  - one M10 Nylon Lock Nut (#76)

**Note: Wrench Tighten Bolts and Nylon Lock nuts.**



# Assembly

## STEP 2



# Assembly

## STEP 3

### 1. Attach:

- two Guide Rod (#16)
- ten Weight Plate 15LBS (#30)
- two Weight Plate 5LBS (#28)
- two Rubber Plug (#100)
- two  $\Phi 63.5 \times \Phi 19 \times 25.4$  Weight Rubber Bumper (#49)
- three Weight Plate 10LBS (#29)
- one Top Plate (#27)
- two Weight Stack Space (#106)

to the Weight stack Frame (#1) using:

- two M8\*30 HHB (#102)
- two  $\Phi 9 \times \Phi 22 \times 1.6$  Flat Washer (#108)
- two  $\Phi 8$  Spring Washer (#101)

2. Attach the Selector Pin W/Coil (#26) to the Top Plate (#27).

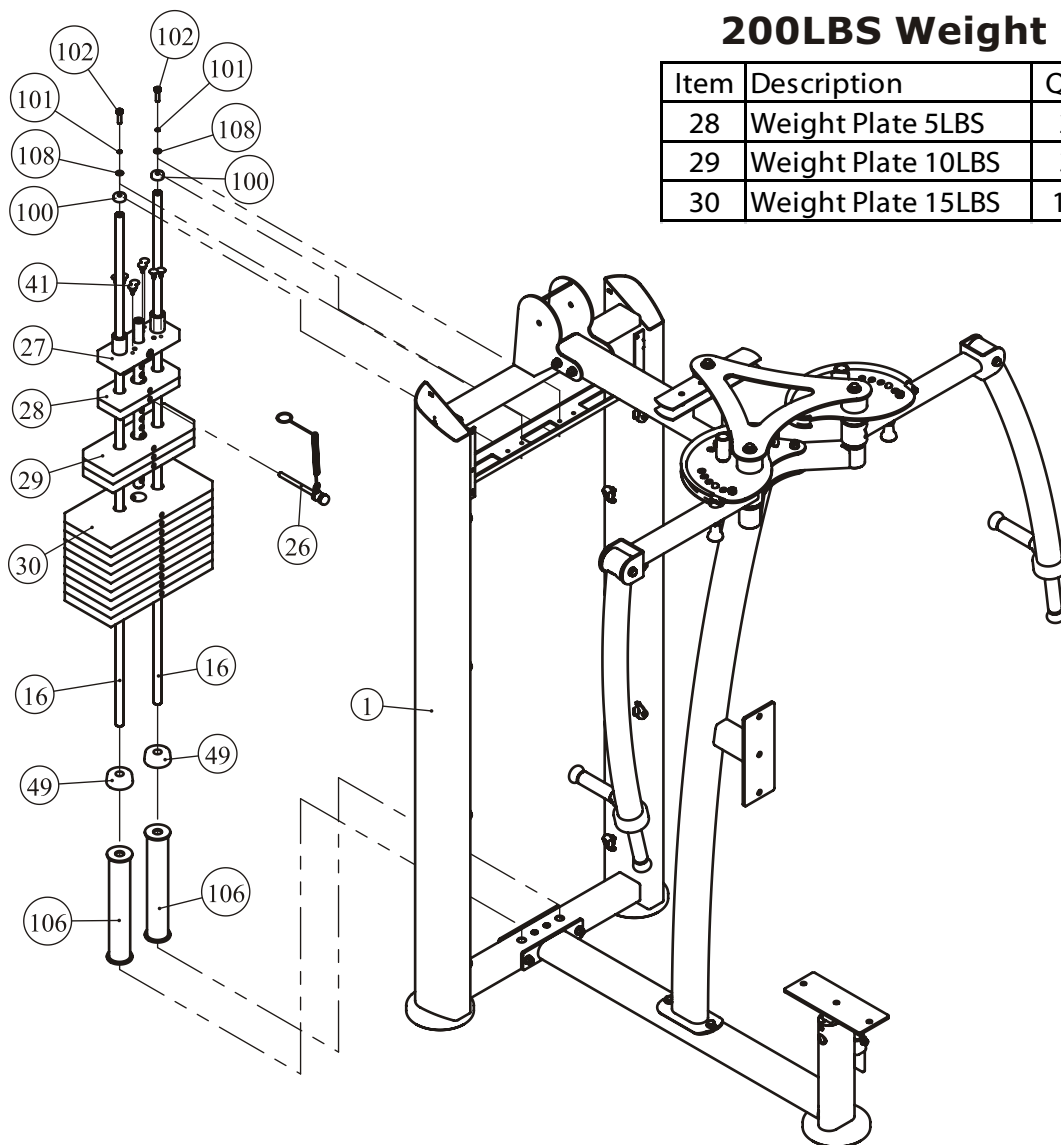
3. Attach eight Button (#41) to the Top Plate (#27).

**Note: Hand tighten bolts and Nylon Lock nuts until machine is fully assembled.**

Here is the assembly instruction for **200LBS Weights !**

### 200LBS Weight

Item	Description	Qty
28	Weight Plate 5LBS	2
29	Weight Plate 10LBS	3
30	Weight Plate 15LBS	10



# Assembly

## STEP 3

### 1. Attach:

- two Guide Rod (#16)
- ten Weight Plate 20LBS (#30)
- two Weight Plate 10LBS (#28)
- two Rubber Plug (#100)
- two  $\Phi 63.5 \times \Phi 19 \times 25.4$  Weight Rubber Bumper (#49)
- three Weight Plate 15LBS (#29)
- one Top Plate (#27)
- two Weight Stack Space (#106)

to the Weight stack Frame (#1) using:

- two M8\*30 HHB (#102)
- two  $\Phi 9 \times \Phi 22 \times 1.6$  Flat Washer (#108)
- two  $\Phi 8$  Spring Washer (#101)

2. Attach the Selector Pin W/Coil (#26) to the Top Plate (#27).

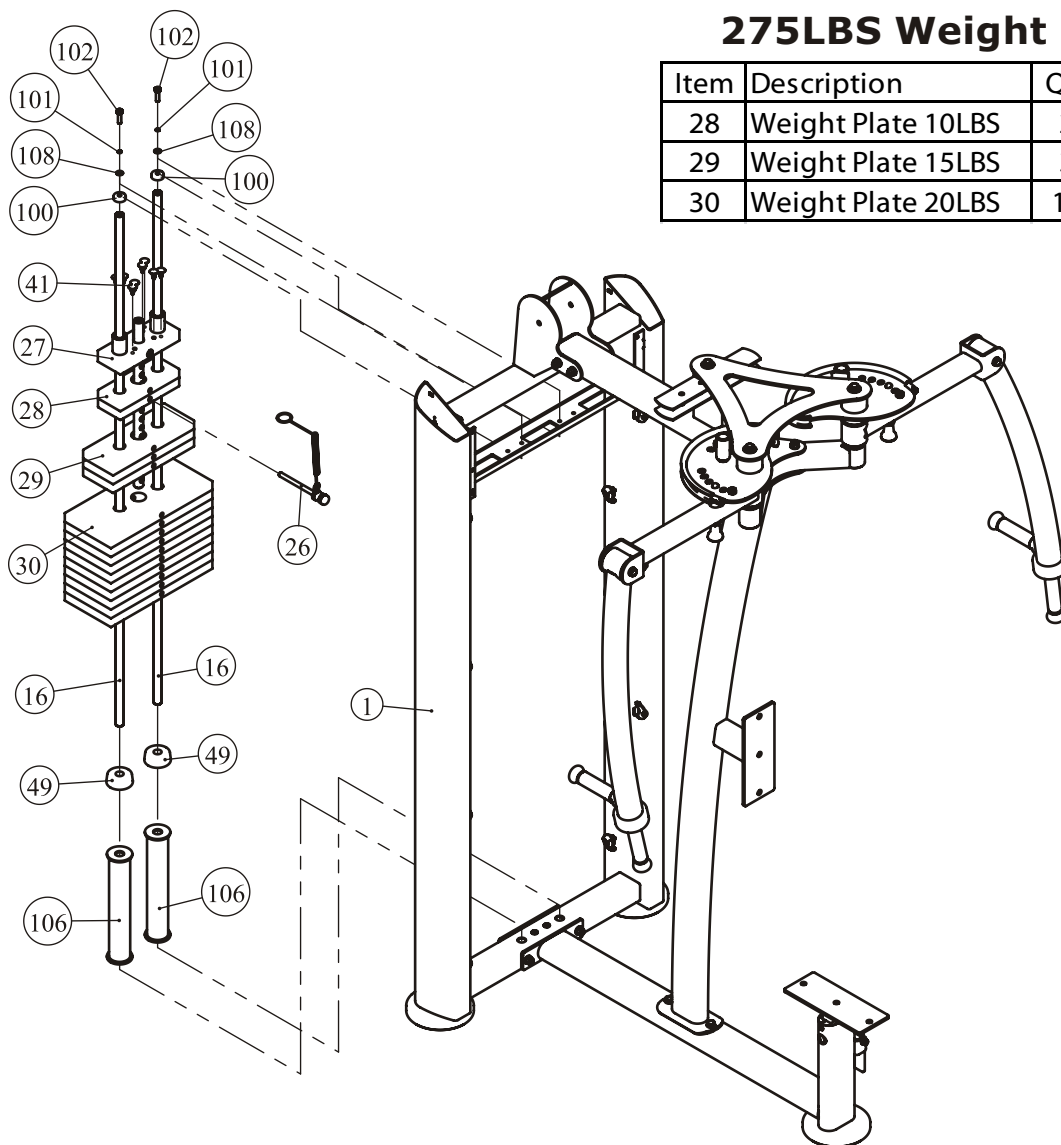
3. Attach eight Button (#41) to the Top Plate (#27).

**Note: Hand tighten bolts and Nylon Lock nuts until machine is fully assembled.**

**Here is the assembly instruction for 275LBS Weights !**

### 275LBS Weight

Item	Description	Qty
28	Weight Plate 10LBS	2
29	Weight Plate 15LBS	3
30	Weight Plate 20LBS	10



# Assembly

## STEP 4

1. Attach two 4.5" Pulley (#50) to the Weight stack Frame (#1) using:

- one M10\*130 HHB (#57)
- two  $\Phi 11*\Phi 20*2$  Flat Washer (#73)
- one  $\Phi 20*\Phi 11*47$  Spacer (#13)
- one M10 Nylon lock Nut (#76)

2. Attach two 4.5" Pulley (#50) to the Top Cross Brace (#4) using:

- four Pulley Cover (#44)
- two M10\*50 SHCS (#66)
- two M10 Nylon lock Nut (#76)

3. Attach one Cable (#21) to the Right Cam (#6), the Left Cam (#7) using:

- two M4\*15 Socket Head Cap Screw (#69)

4. Attach the Pulley Bracket (#25) to the Top Plate (#27) using:

- two 1/2"-13 Hex Flanged Nut (#79)

5. Attach one 3.5" Pulley (#51) to the Pulley Bracket (#25) using:

- one M10\*50 HHB (#61)
- two  $\Phi 11*\Phi 20*2$  Flat Washer (#73)
- one M10 Nylon lock Nut (#76)

**Note: Wrench Tighten bolts and Nylon Lock nuts.**



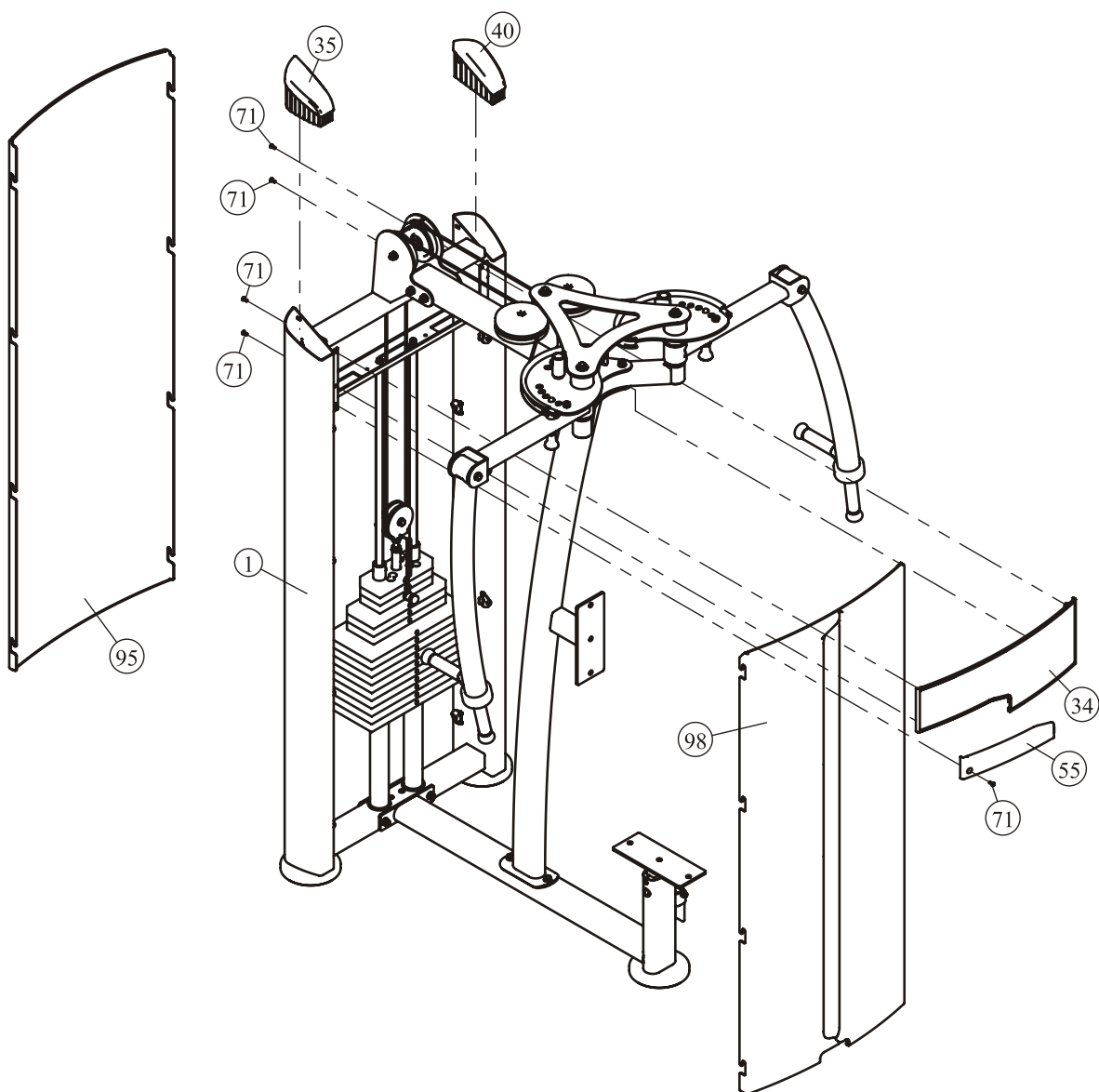


# Assembly

## STEP 5

1. Attach the Front Shroud (#98) to the Weight Stack Frame (#1).
2. Attach the Top Front Shroud (#34) to the Weight Stack Frame (#1) using:
  - four M5\*12 BHCS (#71)
3. Attach the Plastic Cover (#55) to the Top Front Shroud (#34) and the Weight Stack Frame (#1) using:
  - one M5\*12 BHCS (#71)
4. Attach the Rear Shroud (#95) to the Weight Stack Frame (#1).
5. Attach the Left Plug (#35) and the Right Plug (#40) to the Weight Stack Frame (#1).

**Note: Wrench Tighten Bolts and Nylon Lock Nuts.**



# Assembly

## STEP 6

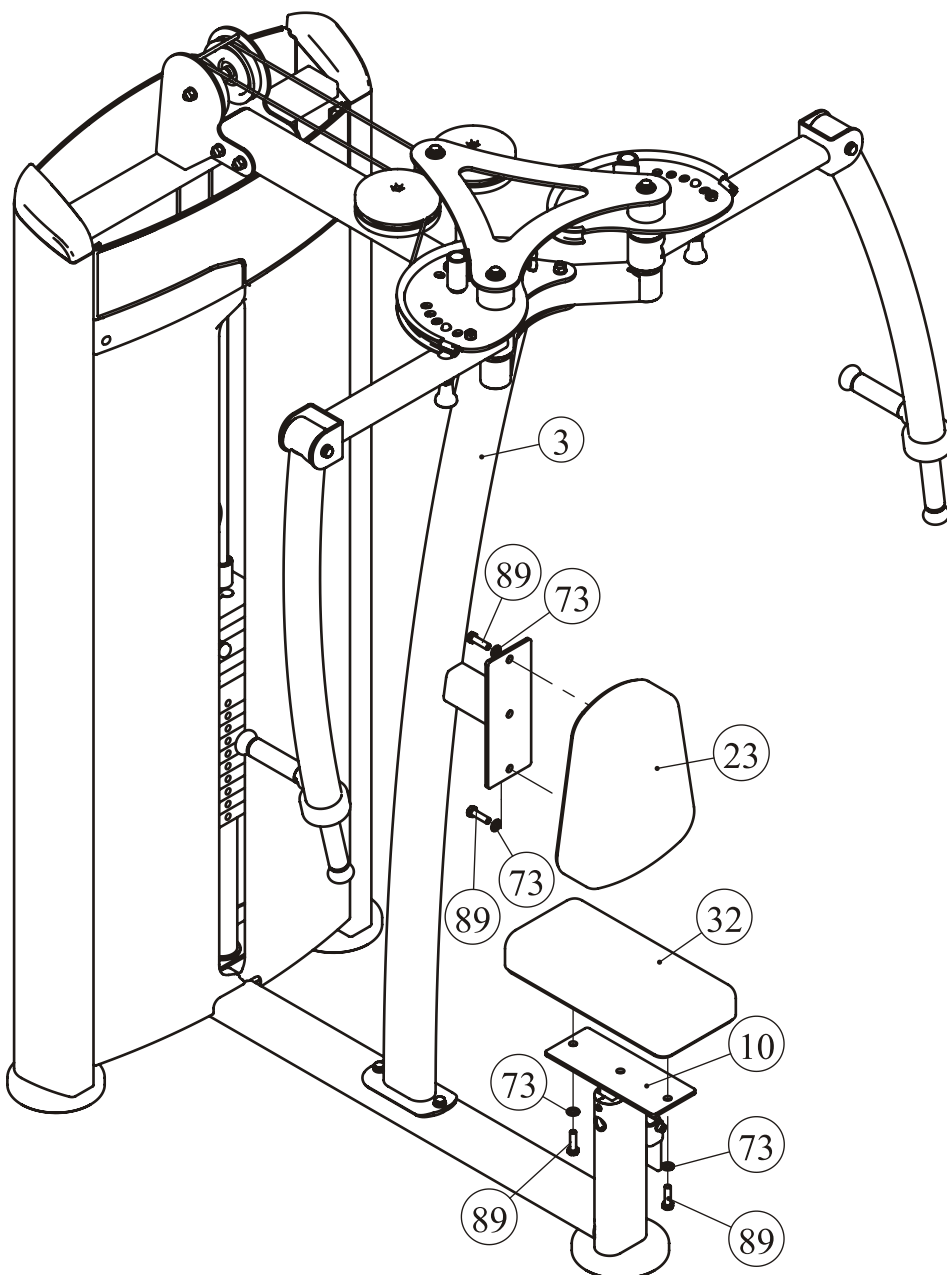
1. Attach the Seat Pad (#32) to the Seat Pad Support (#10) using:

- two M10\*35 HHB (#89)
- two  $\Phi 11*\Phi 20*2$  Flat Washer (#73)

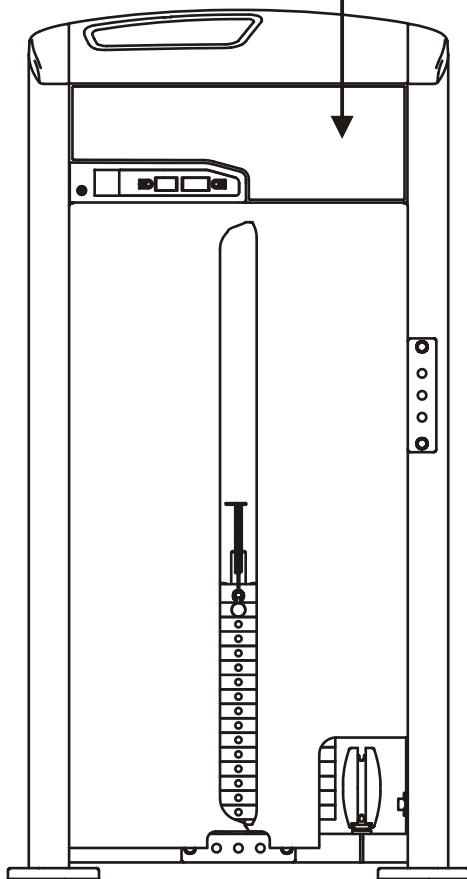
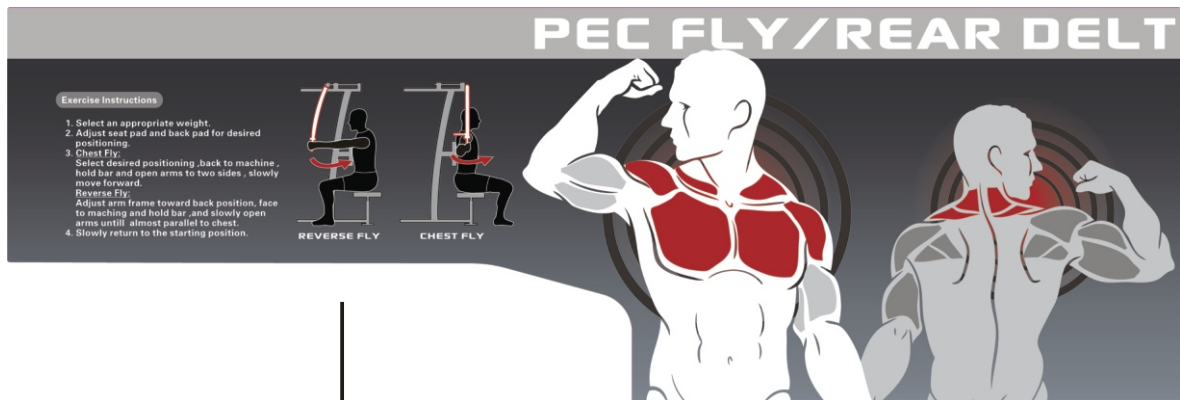
2. Attach the Back Pad (#23) to the Upright Frame (#3) using:

- two M10\*35 HHB (#89)
- two  $\Phi 11*\Phi 20*2$  Flat Washer (#73)

**Note: Wrench Tighten bolts and Nylon Lock nuts.**



# Exercise Instructions



## Exercise Instructions

1. Select an appropriate weight.
2. Adjust seat pad and back pad for desired positioning.
3. **Chest Fly:**  
Select desired positioning ,back to machine , hold bar and open arms to two sides , slowly move forward.  
**Reverse Fly:**  
Adjust arm frame toward back position, face to machine and hold bar ,and slowly open arms until almost parallel to chest.
4. Slowly return to the starting position.

(Adjust weight according to the select pin)

## Specifications

Class:S

Maximum Wt.Capacity:125kg/ 275lbs

Maximum User Weight: 150kg/ 330lbs

# Maintenance Schedule

ROUTINE	COMMERCIAL MAINTENANCE	HOME MAINTENANCE	LATEST DATE ENTRY						
Inspect; Links, Pull Pins, Snap Locks, Swivels, Weight Stack Pins	DAILY	WEEKLY							
Clean; Upholstery	DAILY	WEEKLY							
Inspect; Cables or Belts and their tension	DAILY	WEEKLY							
Inspect; Accessory Bars, and Handles	WEEKLY	3 MONTHS							
Inspect; All Decals	WEEKLY	3 MONTHS							
Inspect; All Nuts and Bolts, Tighten if needed	WEEKLY	3 MONTHS							
Inspect; Anti-Skid Surface	WEEKLY	3 MONTHS							
Clean & Lubricate; Guide Rods with a Teflon (PTFE) based lubricant (Superlube)	MONTHLY	3 MONTHS							
Lubricate; Seat Sleeves, Turcite Bushings, Linear Bearing	MONTHLY	3 MONTHS							
Clean and Wax; All Glossy Finishes	6 MONTHS	YEARLY							
Repack with Grease; Linear Bearings	6 MONTHS	YEARLY							
Replace; Cables, Belts and Connecting Parts	YEARLY	3 YEARS							

*Your equipment comes with a commercial maintenance decal. For personal, in home use, please follow the home maintenance schedule listed above.*

## General Maintenance Information

### **Links, Pull-Pins, Snap Hooks, Swivels, Weight Stack Pins:**

- \* Check all pieces for signs of visible wear or damage.
- \* Check springs in snap hooks and pull-pins for proper tension and alignment.
- \* If the spring sticks or has lost its rigidity, replace it immediately.

### **Upholstery:**

- \* To ensure prolonged upholstery life and proper hygiene, all upholstered pads should be wiped down with a damp cloth after every workout.
- \* Periodically take the time to use a mild soap or an approved vinyl upholstery cleaner to deter the onset of cracking or drying. Avoid using any abrasive cleaners or cleaners not intended for use on vinyl.
- \* Replace ripped or worn upholstery immediately.
- \* Keep sharp or pointed objects clear of all upholstery.

### **Decals:**

- \* Inspect and familiarize yourself with any safety warnings or other user information posted on each decal.

### **Nuts and Bolts:**

- \* Inspect all nuts and bolts for any loosening and tighten if needed.
- \* Go through a re-tightening sequence periodically to ensure that all hardware is tensioned proper.

### **Anti-Skid Surfaces:**

- \* These surfaces are designed to supply secure footing and need to be replaced if they appear worn or become slippery.

### **Belts and Cables:**

- \* We use only high quality belt, and mil-spec cables.
- \* Visually inspect the belts and cables for fraying, cracking, peeling or discoloration.
- \* While the machine is not in use, carefully run your fingers along the belt or cable to feel for thinning or bulging areas.
- \* Replace belts and cables immediately at the first signs of damage or wear. Do not use equipment until belts or cables have been replaced.

### **Belt and Cable Tension:**

- \* Referring to the Owners Manual, when belts or cables are used check all bolts attachments to be sure they are properly attached.
- \* Check slack in cables and re-adjust cable tension if needed.

### **Seat Sleeves, Guide Rods:**

- \* Wipe down adjusting tubes with a dust free rag before applying lubricant.
- \* Lubricate seat sleeves and Guide Rods with a Silicon or Teflon based lubricant spray.

### **Linear Bearings:**

- \* Referring to the Owners Manual carefully disassemble the bearing from its housing and place a finger full of light grease (lithium, super lube, etc.) into the inside of the bearing. Using your finger, press the grease into the ball-bearings and their tracks. Repeat until the ball-bearing tracks are full of grease. Insert the shaft back into the bearing and wipe off excess grease.

**PLEASE KEEP THIS FOR YOUR RECORDS**

## Weight Training Tips

Use this manual to guide you through the basic exercises you can perform on your equipment. To gain maximum results and avoid possible injury, consult a fitness professional to develop your complete exercise program.

Always consult your physician before starting any exercise program.

To be successful in your exercise program, it is important to develop an understanding of the basic principles of strength training. Now that you have your equipment, it is only natural that you want to get started immediately. First, determine a set of realistic goals and objectives for yourself. By deciding on an exercise plan that is right for you prior to starting, you will contribute significantly to your success.

Warm up properly before engaging in weight resistance training. Stretching, yoga, jogging, calisthenics or other cardiovascular exercise can help prepare your body for the heavier workload of lifting weights.

Learn how to perform the exercise correctly before using heavy weight. Correct form is important to avoid injury and to ensure that you work the proper muscle groups.

Know your limitations. If you are new to weight training or are embarking on an exercise regimen after a long layoff, start slowly and build foundational strength over a longer period of time.

Pay attention to your breathing. Exhale when you exert is a general rule of thumb. Never hold your breath.

