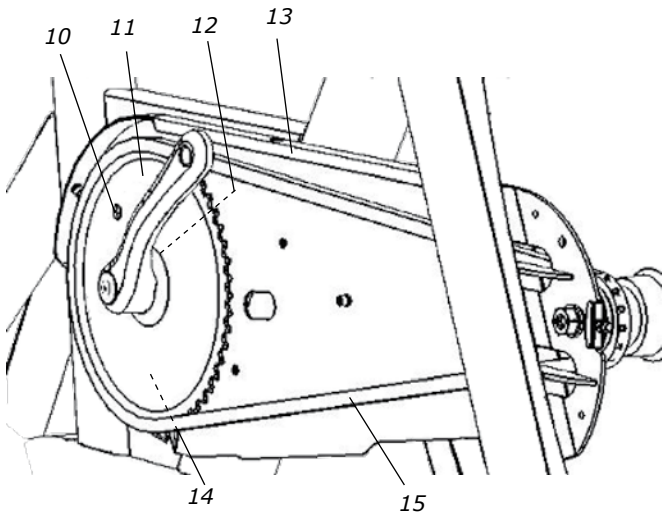
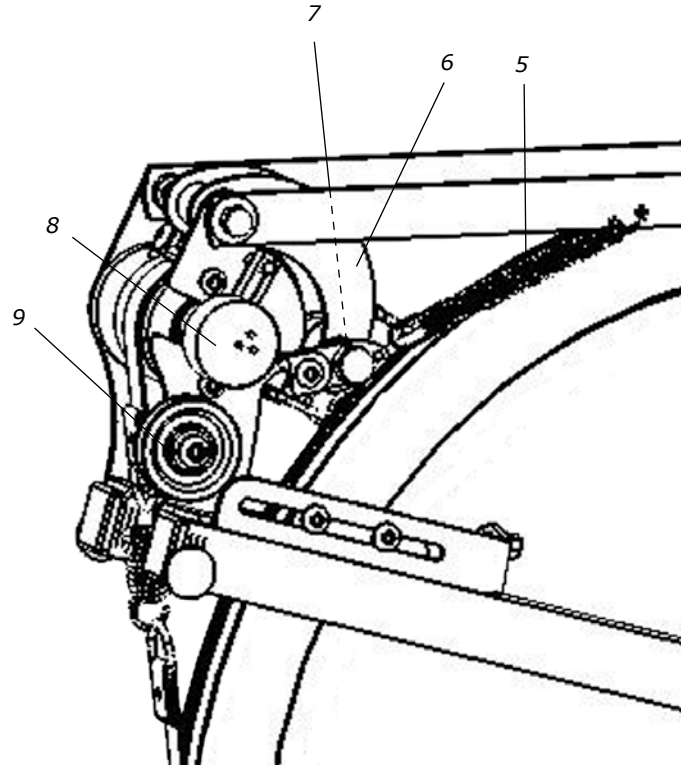
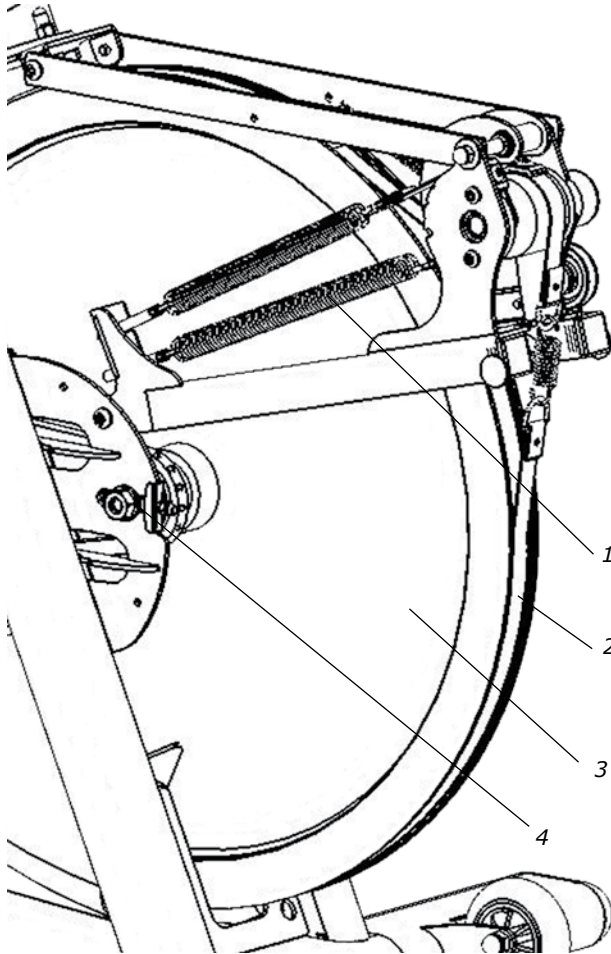


Fig: Chestbelt (accessory)



Fig: Power adaptor SE (accessory)

| Pos. | Qty. | Art. No. | Description | Pos. | Qty. | Art. No. | Description |
|------|------|----------|---------------------------------|------|------|-------------|-------------------------------------------|
| 1 | 1 | 9334-110 | Saddle | | 1 | 9311-3 | Handlebar with stem and clamp, complete |
| | 1 | 9336-2 | Saddle adaptor 22 mm | 12 | 1 | 9311-33 | -Handlebar stem |
| 2 | 1 | 9311-23 | Sledge, complete | 13 | 1 | 9311-31 | -Handlebar clamp |
| 3 | 1 | 9311-24 | -Locking handle M10x32, black | 14 | 1 | 9311-24 | -Locking handle M10x32, black |
| 4 | 1 | 9311-21 | Saddle post | 15 | 1 | C2305771-42 | -Reparto corse handlebar |
| 5 | 2 | 8321-75 | Pedals SPD with clips and strap | | 1 | C2600206 | -Handlebar tape black CORK |
| 6 | 1 | 9301-3 | Support tube rear, complete | 16 | 1 | 9311-4 | Tension unit, complete |
| | 2 | 9328-51 | -Plastic cap | | 1 | 9311-44 | -Wire adjustment |
| | 2 | 9328-26 | -Rubber foot with screw M8 | | 1 | 9311-45 | -Rubber ball 32/M8 black |
| 7 | 1 | 9301-4 | Support tube front, complete | 17 | 1 | 9311-164 | Display LT2 |
| | 2 | 9328-51 | -Plastic cap | 18 | 2 | 9000-104 | Pole screw M5x12, black |
| | 2 | 9328-26 | -Rubber foot with screw M8 | 19 | 1 | 9326-801 | End cap with hole, black |
| | 2 | 9328-37 | -Transport wheel, complete | 20 | 1 | 9311-610 | Cover |
| 8 | 1 | 9310-595 | Side cover rear, left | 21 | 1 | 9310-605 | Side cover rear, left |
| 9 | 2 | 9000-103 | Pole screw M5x12, white | 22 | 1 | 9000-103 | -Pole screw M5x12, white |
| 10 | 2 | 9310-27 | Piston locking, complete | | 1 | 9384-650 | Power adaptor SE (accessory) |
| | 2 | 9100-289 | -Locking handle blue, M10x50 | | 1 | 9384-62 | Power adaptor other countries (accessory) |
| 11 | 2 | 9328-315 | Bushing with hole | | 1 | 9311-75 | Chestbelt (accessory) |
| | | | | | 1 | 9000-211 | Calibration weight 4 kg (accessory) |
| | | | | | 1 | 9000-212 | Calibration weight 2 kg (accessory) |



| Pos. | Qty. | Art. No. | Description | Pos. | Qty. | Art. No. | Description |
|------|------|----------|--------------------------------|------|------|----------|------------------------------------|
| 1 | 2 | 9125-86 | Spring | 9 | 1 | 9384-27 | Pulley |
| 2 | 1 | 9311-73 | Brake belt LT, complete | 10 | 1 | 9326-164 | Magnet |
| 3 | 1 | 9300-3 | Flywheel complete | 11 | 1 | 9300-475 | Crank set, 52T, 172,5 mm, Q 146 mm |
| 4 | 1 | 9300-24 | -Wheel suspension complete set | 12 | 1 | 9300-480 | Cartridge bottom bracket 68/110 mm |
| 5 | 1 | 9100-20 | Spring for press arm | 13 | 1 | 9310-90 | Inner chain guard |
| 6 | 1 | 9311-59 | Press arm | 14 | 1 | 9311-161 | Sensor with cable |
| 7 | 1 | 9328-43 | Tension lever | 15 | 1 | 9310-118 | Chain 9300, 120 L, with chain lock |
| 8 | 1 | 9311-67 | Potentiometer | | | | |